

深圳市瑞隆源电子有限公司 Shenzhen RUILONGYUAN Electronics Co.,Ltd.			
产品名称 Product name	板载电涌保护器 Power Surge Protective Device Installed on pcb	产品型号 Product type	KOV10M500PV
文件编号 File serial number	SP-SPD-117	产品编码 Product code	10.20.14.0030-0000
类别 Classification	<input type="checkbox"/> 参考阶段 Reference <input type="checkbox"/> 正式承认 Qualified	<input type="checkbox"/> 样品阶段 Sample <input checked="" type="checkbox"/> 工程变更 Changed	

KOV10M500PV

板载电涌保护器 技术规格书

Power Surge Protective Device Installed on pcb Technical Specification

拟制: Prepared by	Lucy	日期: Date	2026.03.13
审核: Reviewed by	Shennengwu	日期: Date	2026.03.13
批准: Approved by	Robert	日期: Date	2026.03.13

深圳市瑞隆源电子有限公司

Shenzhen RUILONGYUAN Electronics Co.,Ltd.

修订记录 Revision History

版本 Revision Version	描述 Description	页码 Page	日期 Date
A0	正式承认 Qualified	14	2022.10.12
A1	工程变更 Changed	14	2023.11.08
A2	更新 4.0 安规认证 Agency Approvals	14	2024.09.18
A3	修改海拔，额定短路电流。	14	2025.02.28
	遥信引脚镀层由镀镍变更为镀金，增加镀层厚度参数 引脚增加镀层厚度参数 压敏电极片增加镀层厚度参数	14	2025.02.28
	更新 4.0 安规认证 Update 4.0 Agency Approvals	14	2026.03.13

目录 Catalogue

1.适用范围 Scope	4
2.术语 Glossary.....	4
3.结构尺寸 Structure and Dimensions	6
3.1 结构图 Structure	6
3.2 主要原材料明细 Main Material List.....	6
3.3 产品尺寸 Product Dimensions	7
3.4 推荐焊盘开孔尺寸 Recommended pad cut-out size	7
3.5 电路图 Circuit Diagram.....	7
4.安规认证 Agency Approvals	8
5.环保 Environment.....	8
6.技术参数 Specifications.....	8
7.检验方法和标准 Inspection Method & Standards	8
8.安全预防措施 Safety Precautions	11
9.波峰焊温度曲线 Wave Solderingprofile.....	12
10.标示及包装 Marks and Package.....	13
11.产品批号&追溯号识别 Lot No. & Tracking No. System.....	14
12.储存条件和有效日期 Storage Conditions and Effective Date.....	14
13.有效性 Validity	14
13.1 修订协议 Agreement of Revision	14
13.2 有效性 Validity.....	14

1. 适用范围 Scope

板载电涌保护器是压敏电阻与热保护机械脱离装置的组合。压敏电阻存在老化特性,带热脱扣机构装置能够在压敏电阻(MOV)劣化或失效时,通过热保护部件的动作将压敏电阻从主回路中脱离,防止压敏电阻起火。常用于光伏逆变器,太阳能,通信设备,机房电源等对可靠性和耐候性要求高的场所。

Power Surge Protective Device Installed on pcb is a combination of varistor and thermally protected mechanical disconnect. The varistor has aging characteristics. When the varistor (MOV) deteriorates or fails, the device with thermal tripping mechanism can separate the varistor from the main circuit through the action of the thermal protection component to prevent the varistor from catching fire. Commonly used in photovoltaic inverters, solar energy, communication equipment, computer room power supplies and other places that require high reliability and weather resistance.

2. 术语 Glossary

2.1 浪涌 Surge

电路中电流、电势或能量的瞬态波。基于本标准,浪涌不包括在几个周期内因升高的工频电压所产生的瞬态过电压(TOV)。

A transient wave of current, potential or power in an electric circuit. For the purposes of this standard, surges do not include temporary over voltages (TOV) consisting of an increase in the power frequency voltage for several cycles.

2.2 电涌保护器 Surge Protective Device (SPD)

至少包含一个非线性元件,通过转移或抑制冲击电流来限制冲击电压的设备,且可以重复使用。

A device composed of at least one non-linear component and intended for limiting surge voltages on equipment by diverting or limiting surge current and is capable of repeating these functions as specified.

2.3 状态指示器 Status Indicator

指示 SPD 或者 SPD 一个部件工作状态的设备。

Device that indicates the operational status of an SPD, or a part of an SPD.

2.4 1.2/50 μ s 电压波形 1.2/50 μ s Voltage Wave

在开路情况下,视在波前时间为 1.2 μ s,且半峰值时间为 50 μ s 的冲击电压。

Voltage surge with a virtual front time of 1.2 μ s and a time to half-value of 50 μ s delivered across an open circuit.

2.5 8/20 μ s 电流波形 8/20 μ s Current Wave

短路情况下,视在波前时间为 8 μ s 且半峰值时间为 20 μ s 的冲击电流。

Current surge with a virtual front time of 8 μ s and a time to half-value of 20 μ s delivered into a short circuit.

2.6 标称系统电压 Nominal System Voltage

参照 ANSI C84.1 表 1,指定系统电压等级所对应的标称值。

A nominal value assigned to designate a system of a given voltage class in accordance with ANSI C84.1, Table 1.

- 2.7 光伏系统的最大持续工作电压 Maximum continuous operating voltage for pv application (U_{cpv})
可连续地施加在 SPD 保护模式上的最大直流电压。
Maximum DC voltage which may be continuously applied to the SPD's mode of protection.
- 2.8 最大持续运行工作电压 Maximum Continuous Operating Voltage (U_c)
允许持久地施加在 SPD 上的最大交流电压有效值或直流电压。其值等于额定电压。
maximum r.m.s. voltage, which may be continuously applied to the SPD's mode of protection.
- 2.9 电压保护水平 Voltage Protection Level (U_p)
由于施加规定陡度的冲击电压和规定幅值及波形的冲击电流而在 SPD 两端之间预期出现的最大电压。
Maximum voltage to be expected at the SPD terminals due to an impulse stress with defined voltage steepness and an impulse stress with a discharge current with given amplitude and wave shape.
- 2.10 参考试验电压 Reference Test Voltage (U_{REF})
用于 SPD 测试的电压有效值。它取决于 SPD 的保护模式、系统标称电压、系统结构和系统内的电压调整。
The r.m.s. value of voltage used for testing which depends on the mode of protection of the SPD, the nominal system voltage, the system configuration and the voltage regulation within the system.
- 2.11 标称放电电流 Nominal Discharge Current (I_n)
由厂家给出的, SPD 在经过 15 次 8/20 μ s 电流波形浪涌冲击后无损坏的电流峰值。
Peak value of the current, selected by the manufacturer, through the SPD having a current wave shape of 8/20 μ s where the SPD remains functional after 15 surges.
- 2.12 最大放电电流 Maximum Discharge Current (I_{max})
流过 SPD, 具有为 8/20 μ s 波形电流的峰值, 其峰值大小由厂家规定。 I_{max} 等于或大于 I_n 。
Crest value of a current through the SPD having an 8/20 μ s wave shape and magnitude according to the manufacturers specification. I_{max} is equal to or greater than I_n .
- 2.13 保护模式 Modes of Protection
在端子间保护保护元器件的电流路径, 例如相对相、相对地、相对中线、中线对地。
An intended current path, between terminals that contains protective components, e.g. line-to-line, line-to-earth, line-to-neutral, neutral-to-earth.
- 2.14 热稳定 Thermal Stability
在引起 SPD 温度上升的动作负载试验后, 在规定的环境温度条件下, 给 SPD 施加规定的最大持续工作电压, 如果 SPD 的温度能随时间而下降, 则认为 SPD 是热稳定的。
SPD is thermally stable if, after heating up during the operating duty test, its temperature decreases with time while energized at specified maximum continuous operating voltage and at specified ambient temperature conditions.

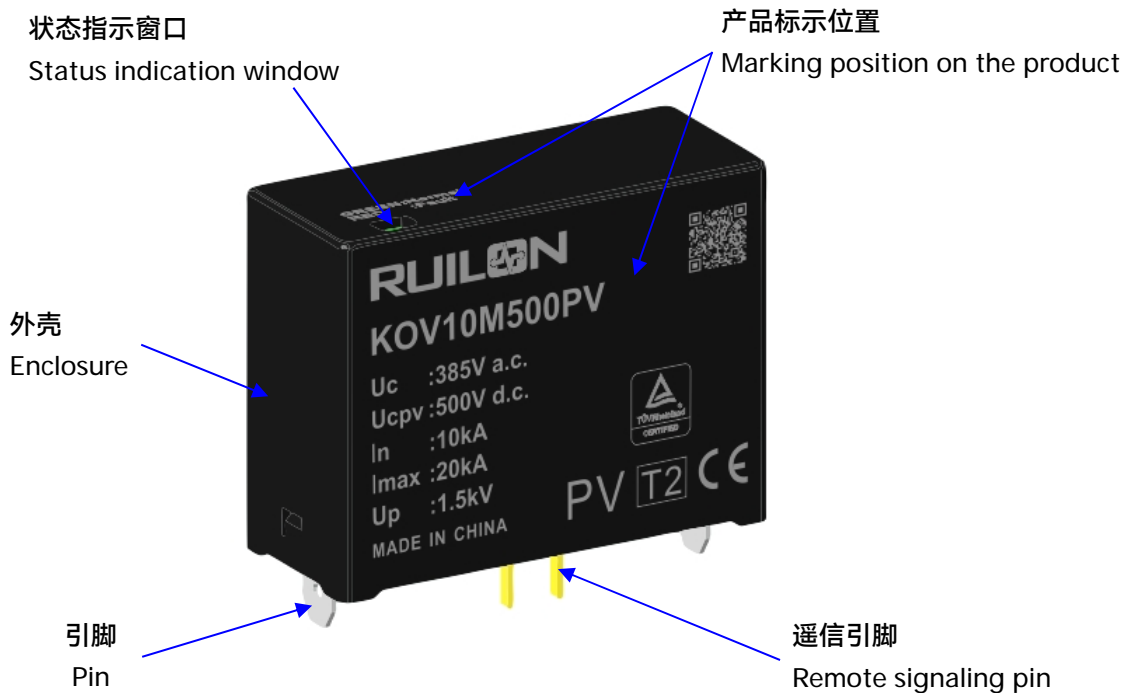
- 2.15 外壳防护等级 (IP 代码) Degrees of Protection Provided by Enclosure (IP code)
 外壳提供的防止触及危险的部件、防止外部的固体异物进入和或防止水的进入壳内的防护程度。
 Classification preceded by the symbol IP indicating the extent of protection provided by an enclosure against access to hazardous parts, against ingress of solid foreign objects and possibly harmful ingress of water.

3. 结构尺寸 Structure and Dimensions

3.1 结构图 Structure

产品结构: 内置 1 个热保护脱扣装置的压敏电阻。

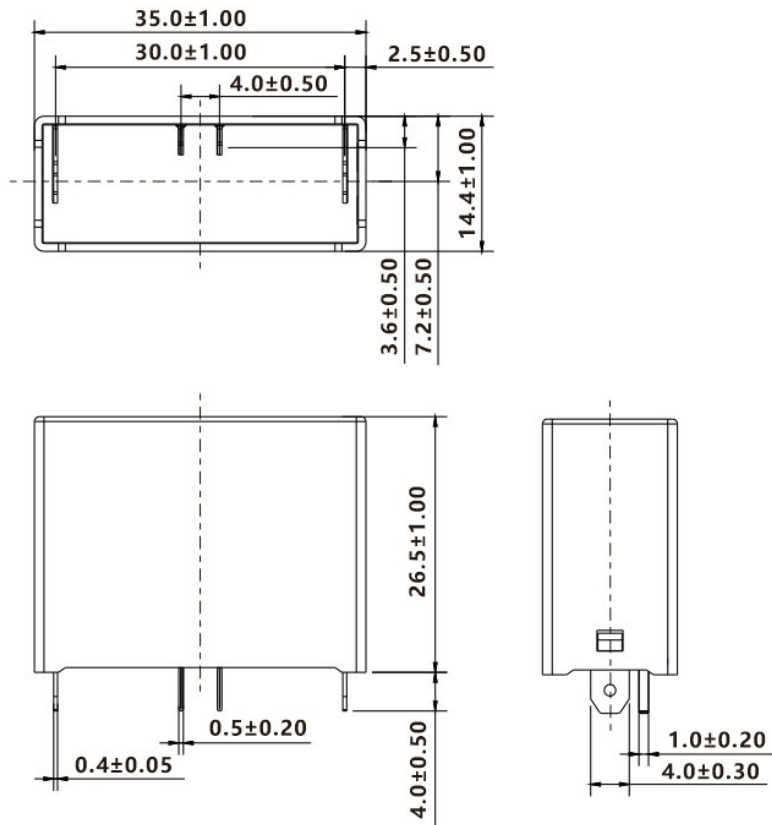
Product Structure: Varistor with built-in 1 thermal protection trip device.



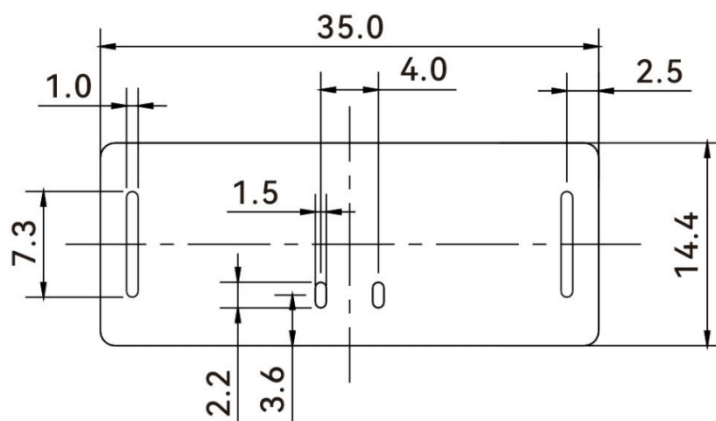
3.2 主要原材料明细 Main Material List

编号 NO.	零件名 Part Name	材质 Materials
1	外壳 Enclosure	塑料 Plastic
2	引脚 Pin	紫铜镀锡 (Range:5.0um-12um) Copper tinning (Range:5.0um-12um)
3	灭弧片 Arc Extinguishing Plate	塑料 Plastic
4	压敏电阻 Varistor	氧化锌 Zinc Oxide
5	压敏电阻电极片 Varistor electrodes	紫铜镀锡 (Range:5.0um-12um) Copper tinning (Range:5.0um-12um)
6	遥信引脚 Remote signaling pin	铍铜镀金 (Range:0.08um-0.3um) Beryllium copper gold-plated (Range:0.08um-0.3um)

3.3 产品尺寸 Product Dimensions
单位 Unit: mm





3.4 推荐焊盘开孔尺寸 Recommended pad cut-out size
单位 Unit: mm



3.5 电路图 Circuit Diagram



4. 安规认证 Agency Approvals

认证标志 Agency	标准 Standards	认证号 File No.	类别 Category
	IEC/EN 61643-31, IEC/EN 61643-11	R 50592796 0002 R 50592795 0002	Type 2
	IEC/EN 61643-31, IEC/EN 61643-11	UK230307200 UK230307199	Type 2

5. 环保 Environment

环保 Environment	指令号 Order No.	指令 Order
RoHS2.0	2015/863/EU	满足 RoHS 指令 Meet the RoHS

6. 技术参数 Specifications

技术特性 Technical Feature	技术参数 Technical Parameters	执行标准 Reference Standards
工作温度 Operational Temperature Range	(-40-85)°C	GB/T 10193 IEC 61051
存储温度及湿度 Storage Temperature and Humidity Range	(-40-85)°C ≤95%RH	IEC 60068-2-1 IEC 60068-2-2
最大持续运行工作电压 Maximum Continuous Operating Voltage(Uc)	385VAC	IEC61643-11
	500VDC	IEC61643-31
标称放电电流 Nominal Discharge Current(In) (8/20 μs)	10kA	IEC61643-31
最大放电电流 Maximum Discharge Current (8/20 μs) (Imax)	20kA	IEC61643-31
电压保护水平 Voltage Protection Rating (Up)	1.5kV	IEC61643-31
额定短路电流 Short-circuit current rating(I _{SCPV})	1000A	IEC61643-31
本地状态指示 Local status indication	正常: 绿色; 失效: 红色 Normal:green Fault:red	/
遥信告警方式 Remote signal alarm mode	正常: 常闭; 失效: 开路 Normal:Normal Close; Fault: Normal open	/
遥信触点额定工作电流 Rated working current of remote signal contact	250VAC/0.5A;125VAC/1A 250VDC/0.1A;30VDC/0.1A	/
外壳防护等级 Degrees of Protection of enclosure	IP20	IEC60529
海拔 Altitude	-500 ~ 5000 m	IEC61643-31

7. 检验方法和标准 Inspection Method & Standards

7.1 常规检验项目 General Test Items

序号 No.	项目 Items	检验工具 Inspection Tools	检验要求 Inspection Requirement	参考标准 Reference Standards
1	外观 Appearance	目视 Visual check	外壳无穿孔、无飞边、标示清晰。 The case without perforation and fins, the mark is clear.	企业标准 Enterprise Standard
2	尺寸 Dimension	游标卡尺 vernier caliper	用游标卡尺测量产品尺寸，尺寸范围参 3.3。 Use the Vernier caliper to measure the product size, and the size range please reference to the table 3.3.	企业标准 Enterprise Standard
3	状态指示 Status	目视 Visual check	产品正常状态下，指示窗口显示为绿色。 T In the normal state of the product, the Indication window is displayed in green.	企业标准 Enterprise Standard

7.2 电压保护等级测试 Initial Voltage Protect Rating Test

参考标准: IEC61643-31-2018 章节 7.4.2.2。

Reference Standard: IEC61643.31-2018 Section 7.4.2.2.

测试方法:

在试品两端施加 In 的 8/20us 冲击电流，正负各一次，记录测量波形。

Test Method:

Apply Inrush current of 8/20us to both ends of the test sample, positive and negative once, and record the measurement waveform.

判定标准:

- 1) 电压和电流波形图及目测检查应没有击穿或闪络的迹象。
- 2) 试验过程中应没有发生可见的损坏。试验后，检查发现的细小的凹痕或裂缝如不影响防直接接触，则可忽略，除非无法保持 SPD 的防护等级 (IP 代码)。试验后，试品上不应有燃烧的痕迹。
- 3) 对防护等级大于或等于 IP20 的 SPD，应使用标准试指施加一个 5N 的力 (见 IEC60529) 不应触及带电部件，除了 SPD 按正常使用安装后再试验前已可触及的带电部分外。
- 4) 不应有对金属屏栅的闪络，试验过程中连接屏栅的 6AgL/gG 熔断器也不应动作。

Pass criteria:

- 1) Voltage and current records and visual inspection shall show no indication of puncture or flashover.
- 2) No visible damage shall occur during the test. After the test, small indents and cracks not impairing the protection against direct contact are disregarded during this check, unless the degree of protection (IP-code) given for the SPD is no longer provided. There shall be no visual evidence of burning of the sample after the test.
- 3) SPDs with an IP degree equal to, or greater than, IP20 shall not have live parts accessible with the standardized test finger applied with a force of 5N (see IEC60529), except the live parts which were already accessible before the test when the SPD is fitted as in normal use.

- 4) There should be no flashover to the metal grid, and the 6AgL/gG fuse connected to the grid should not operate during the test.

7.3 标称放电电流试验 Nominal Discharge Current Test

参考标准: IEC61643-31-2018 章节 7.4.2.4。

Reference Standard: IEC61643-31-2018 Section 7.4.2.4.

测试方法:

- 1) 对试品施加 15 次 8/20 正极性的冲击电流, 分成 3 组, 每组 5 次冲击。每次冲击记录电流波形。
- 2) 每次冲击的同时施加 U_{cpv} , 两次冲击之间的间隔时间为 50-60s。
- 3) 两组之间的间隔时间为 30min-35min。
- 4) 15 次冲击结束后, 保持 U_{cpv} 时间不少于 15 分钟。

Test Method:

- 1) 15 shocks of 8/20 positive polarity were applied to the test subjects, which were divided into 3 groups with 5 shocks in each group. Record the current waveform for each shock.
- 2) Apply U_{cpv} at the same time as each impact, The interval between two shocks is 50-60s.
- 3) The interval between two groups is 30min-35min.
- 4) Impact 15 shocks, keep U_{cpv} for no less than 15 minutes.

判定标准:

- 1) 产品应达到热稳定。在施加 U_{cpv} 电压的最后 15min, 如果电流 I_c 的阻性分量峰值或功耗呈现出下降的趋势或没有升高, 则认为 SPD 是热稳定的。如果试验本身是加电 U_{cpv} 进行的, 则不间断地继续保持加电 15min, 或在 30s 内重新加电。
- 2) 电压和电流波形图及目测检查应没有击穿或闪络的迹象。
- 3) 试验过程中无发生可见的损坏。
- 4) 试验后所测量的限制电压应小于或等于 U_p 。
- 5) 试验后, 不得有过高的泄漏电流。SPD 根据制造商的说明书按正常使用连接到参考试验电压 U_{REF} 的电源, 测量流过每个端子的电流, 电流的阻性分量不得超过 1mA, 或者电流增加不得超过在相关试验初始时测量结果的 20%。
- 6) 试验时, 制造商规定的外部脱离器不得动作; 试验后, 该脱离器处在正常工作状态。
- 7) 试验时, 制造商规定的内部脱离器不得动作; 试验后, 该脱离器处于正常工作状态。
- 8) 不得有对人员或者设备产生的爆炸或其他危险。

Pass Criteria:

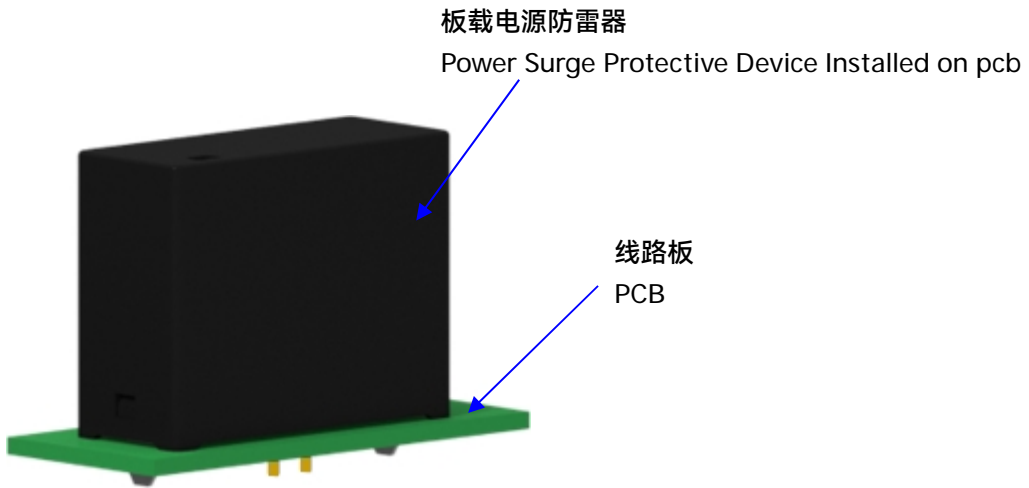
- 1) Thermal stability shall be achieved. The SPD is considered to be thermally stable if the current flowing into the SPD or the power dissipation shows either a decreasing tendency or does not increase during 15 min of U_{cpv} voltage application immediately after the application of U_{cpv} . If the test itself is performed with the SPD energized at U_{cpv} , then U_{cpv} either remains applied for these 15 min without interruption or is reapplied within less than 30 s.
- 2) Voltage and current records and visual inspection shall show no indication of puncture or flashover.
- 3) No visible damage shall occur during the test.
- 4) Values for measured limiting voltage after the test shall be below or equal to U_p .

- 5) No excessive leakage currents shall occur after the test; The SPD shall be connected as for normal use according to the manufacturer's instructions to a power supply at the reference test voltage (U_{REF}). The current that flows through each terminal is measured. Its resistive component (measured at the crest of the sine wave) shall not exceed a value of 1 mA, or the current shall not have changed by more than 20% compared to the initial value determined at the beginning of the relevant test sequence.
- 6) External disconnectors as specified by the manufacturer shall not operate during the test and shall be in working order after the test.
- 7) Internal disconnectors as specified by the manufacturer shall not operate during the test and shall be in working order after the test.
- 8) There shall be no explosion or other hazard to either personnel or the facility.

8. 安全预防措施 Safety Precautions

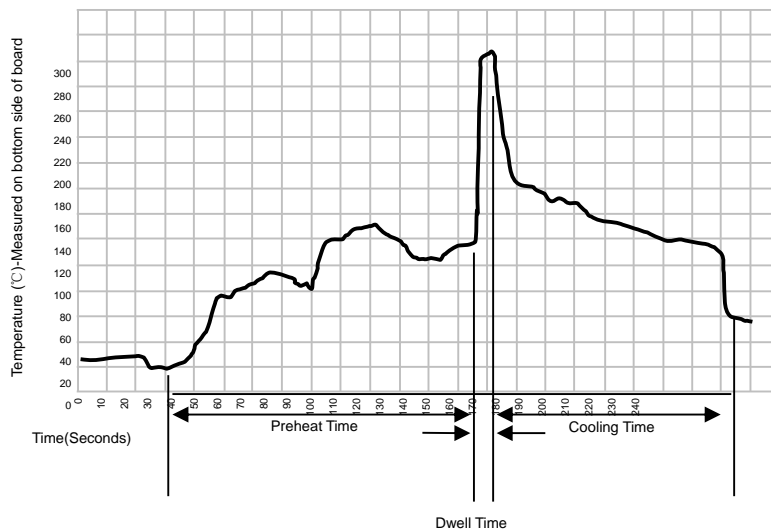
- 8.1 安装前阅读并理解所有说明。
Read and understand all instructions before installation.
- 8.2 持续施加在产品上的电压不应超过其最大连续工作电压 U_{cpv} 。
The voltage continuously applied to the product should not exceed its maximum continuous working voltage U_{cpv} .
- 8.3 装配时不要用丙酮等溶剂清洗本产品，以免破坏本产品的封装层。
Avoiding to destroy enclosure, solvent such as acetone is forbidden for cleaning products when assembly.
- 8.4 装配时应避免出现如敲击等作业方式，避免造成本产品出现机械损伤。
Avoiding making mechanical damage on products, improper operation such as knocking when assembly is not allowed.
- 8.5 应用本产品的设备必须有可靠的接地线与大地相连，地线长度应小于 0.5 米。
Equipment on the use of the products must have reliable grounding to the earth, the length of the grounding wire less than 0.5 m.
- 8.6 未遵守操作说明可能导致电气系统或相关设备损坏。
If you do not obey the instructions, the electric system or associated equipment may be breakdown.
- 8.7 安装位置：室内。
Installation location: Indoors.
- 8.8 系统电压波动范围小于 10%。
Fluctuation range of system voltage shall be less than 10%.
- 8.9 如果热保护装置断开，指示窗口将由绿色转换为红色。
If the Thermal-Links break, the Indication window will be converted from green to red.

8.10 安装方式 Mounting Method
PCB 板安装 PCB board installation



9. 波峰焊温度曲线 Wave Soldering profile

波峰焊条件 Wave Soldering Condition		无铅焊接 Pb-Free assembly
预热 Pre Heat	最低温度 Temperature Min	100°C
	最高温度 Temperature Max	150°C
	时间 Time (从小到大 min to max)	60 – 180 secs
锡炉温度 Solder Pot Temperature		270°C Max
焊接停留时间 Solder Dwell Time		2-5 seconds



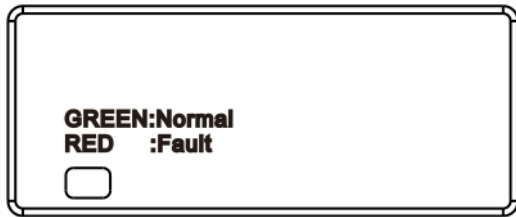
备注 Remark:

本产品不支持回流焊

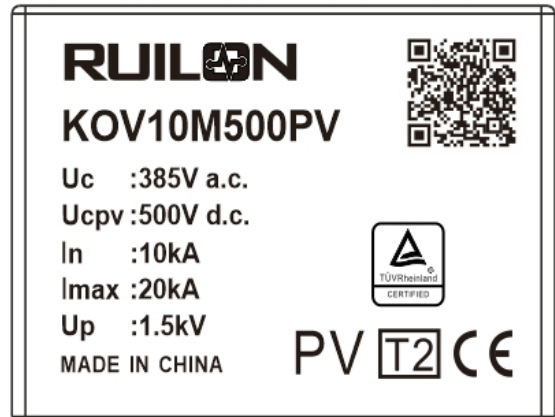
This product does not support reflux welding

10. 标示及包装 Marks and Package
 10.1 产品本体标示 Marking on Product

顶部标识 Top marking



KOV10M500PV 标识 Marking

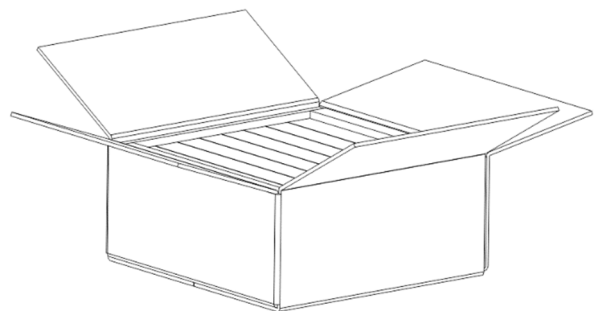
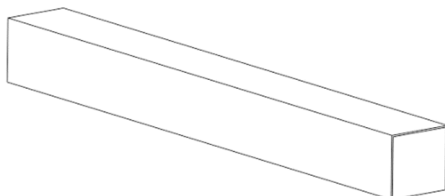


10.2 包装 Packaging

包装方式与要求
 Packaging Method and Requirement

包装尺寸(mm) Dimensions	包装管 Packaging tube	外箱 Carton
	320*37.1*34.3	355*355*166
数量 (PCS) Quantity	20	480
净重(kg) Net Weight	≈0.48	≈11.52
毛重(kg) Gross Weight	≈0.5586	≈14.006

备注:
 Remark:



11. 产品批号&追溯号识别 Lot No. & Tracking No. System

11.1 产品批号识别 Lot No. System

小包装追溯号:

Tracking No. on the Inner Packing:

Part No(产品代码)	10.20.14.0030-0000
Lot No(批次)	生产批次 Production batch
Product code(产品型号)	KOV10M500PV
Quantity (数量)	20



11.2 产品追溯号识别 Tracking No. System

大包装追溯号:

Tracking No. on the Outer Package:

Part No(产品代码)	10.20.14.0030-0000
Lot No(批次)	生产批次 Production batch
Product code(产品型号)	KOV10M500PV
Quantity (数量)	480



12. 储存条件和有效日期 Storage Conditions and Effective Date

a) 推荐长期存储条件: 存储温度: (-10 - 40) °C, 存储湿度: ≤75%RH。

Recommend Long-term Storage Condition: Storage Temperature: (-10 - 40) °C, Storage Humidity ≤75%RH.

b) 不要将本产品存放在有腐蚀性气体或阳光直接照射的环境中。

Do not store the products in the environment that with corrosive gas or under direct sunlight.

c) 存储期限: 2 年。

Storage Period: 2 years.

13. 有效性 Validity

13.1 修订协议 Agreement of Revision

本规格书的内容若有不充分或需要修订时, 得由两公司协议后再行修订。

If the content of the specifications is inadequate or need revising, it will be revised after agreement by both parties.

13.2 有效性 Validity

本规格书提出后, 于贵公司承认期间, 可暂时使用, 若经过 1 个月后贵公司无异议或未签回规格书时, 则视同有效文件运用。

The specifications can be used temporarily during the period of approval. If you have no any objection or not return one hardcopy to us within 1 month, the specifications will be operated as a valid document.

-以下无正文 END-